

Weight Indicator

FEATURES

- High performance and long-term reliability
- Assembly “snap-on” DIN rail (certified to EN50022 standards)
- Able to interface with intrinsically safe barriers for use in hazardous areas

OPTIONS

- Ethernet version available
- RS485 full duplex output available
- PROFINET version available

APPLICATIONS

- Various industrial systems

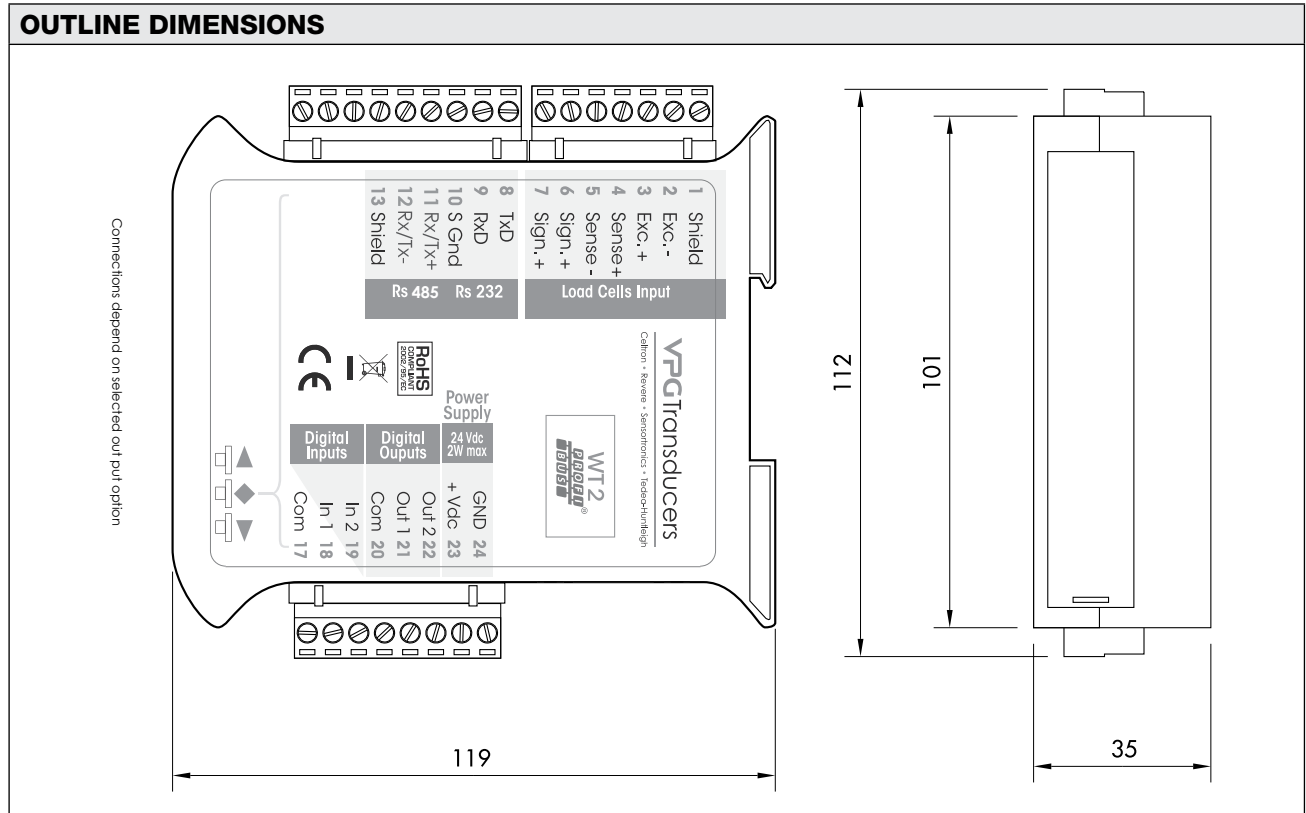
DESCRIPTION

The WT2 is a modified version of the WT1 with improved interfacing abilities. It uses the same 24-bit D/A converter and, when connected to a system of 1–4 load cells, the WT2 converts output signals in the same manner as the WT1. The WT2’s strength is in its connectivity. It uses PROFIBUS as its default protocol, which is faster than

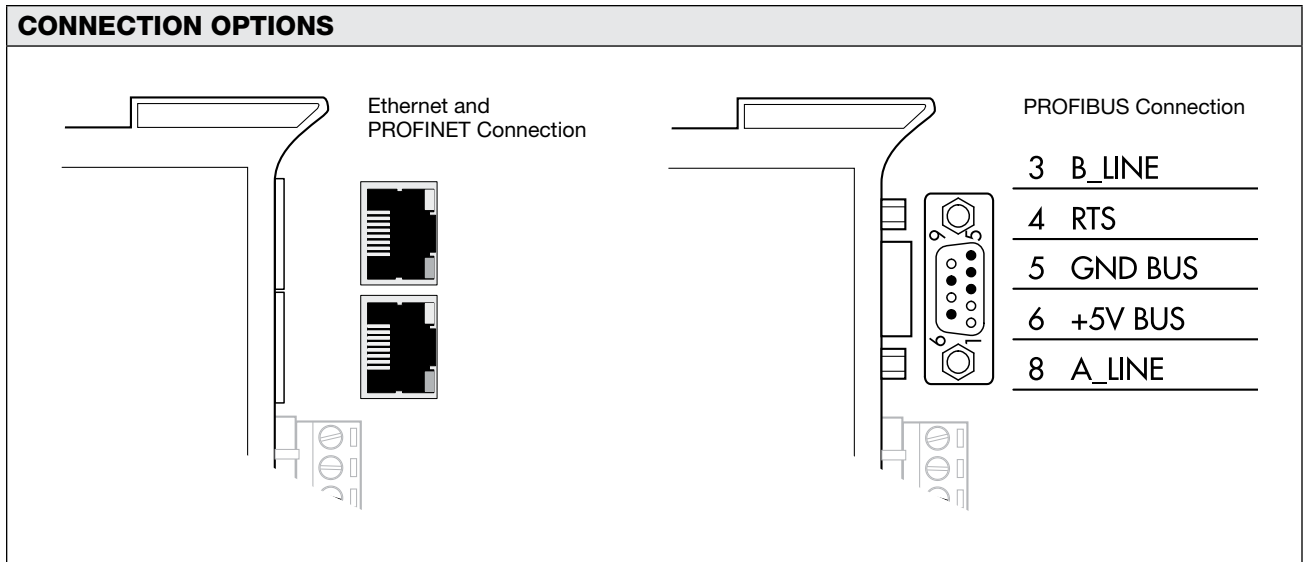
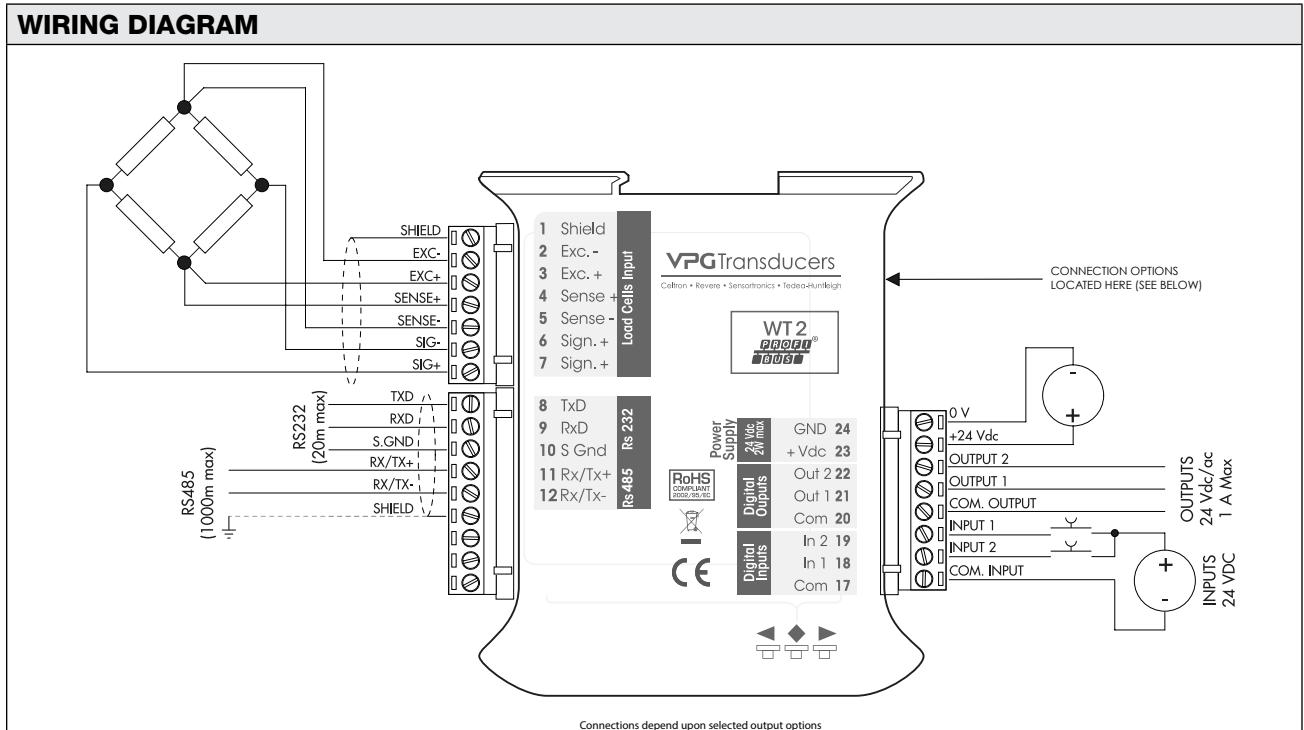
the MODBUS protocol and able to control more complex systems. The WT2 also features an optional Ethernet connection, which comes with a 128-byte in/out buffer for high-speed PC connections. The Ethernet cable can be augmented with the PROFINET protocol, which enables full integration into systems with that protocol.



OUTLINE DIMENSIONS



Weight Indicator



Weight Indicator

SPECIFICATIONS**PERFORMANCE****Power Output**

4 V

Measuring Range

-4 to +4 mV/V

Input Sensitivity

0.02 V/division

Linearity

<0.01% of full scale

Gain Drift

<0.001% full scale °C

D/A Converter

24 bit

Internal Resolution

16,000,000 counts

Visible Resolution

60,000 counts (visible on net weight)

Divisions Value (Adjustable)

0.001 to 50

Filter (Adjustable)

0.2 to 25 Hz

ENVIRONMENTAL**Operating Temperature**

-10 to +50 °C

Storage Temperature

-20 to +60 °C

DISPLAY AND KEYBOARD**Display**

5 digit, 7 segment, LED

Digit Height

7 mm

Keyboard

3 key mechanical keyboard

ELECTRICAL**Voltage**

24±10% VDC

Wattage

2 W

SERIAL COMMUNICATION**Serial Output #1**

RS232C half duplex with ASCII protocol,

Baud Rate

2400 to 115200 (adjustable)

Serial Output #2 (optional)

PROFIBUS DP-V1

Baud Rate

9.6 K/sec to 12 Mbit/sec

Serial Output #3 (optional)

PROFINET

Baud Rate

According to PROFINET standards

Serial Output #4 (optional)

Ethernet

Buffer Dimensions

128 bytes in, 128 bytes out

ENCLOSURES**Dimensions**

119 x 112 x 23 mm, L x H x D

Mounting

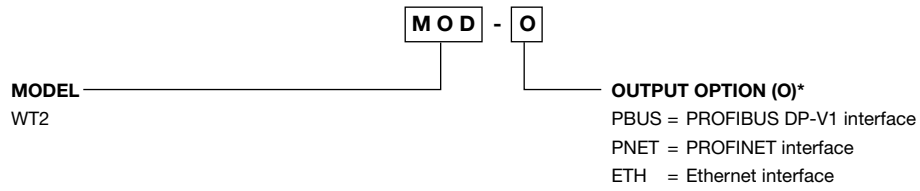
DIN rail

Electrical Connections5.08 mm terminal screw pass,
D-Sub 9 poles female connector (Profibus version),
RJ45 connector (Ethernet and Profinet connections)**APPROVALS****EN**EN61000-6-2, EN61000-6-3 for EMC;
EN61010-1 for electrical security

Ordering information is on next page.

Weight Indicator

ORDERING INFORMATION FOR WT2



Example Completed Part Numbers:

WT2-ETH is the part number for a WT2 with an Ethernet interface.

***This is mandatory: customers must select an output option.**

All specifications subject to change without notice. For inquiries within Italy please contact the VPG Transducers Marketing Department directly using the email address vpgt.marketing@vpgsensors.com.