

Weight Indicator

FEATURES

- High performance and long-term reliability
- Assembly “snap-on” DIN rail (certified to EN50022 standards)
- Able to interface with intrinsically safe barriers for use in hazardous areas

OPTIONS

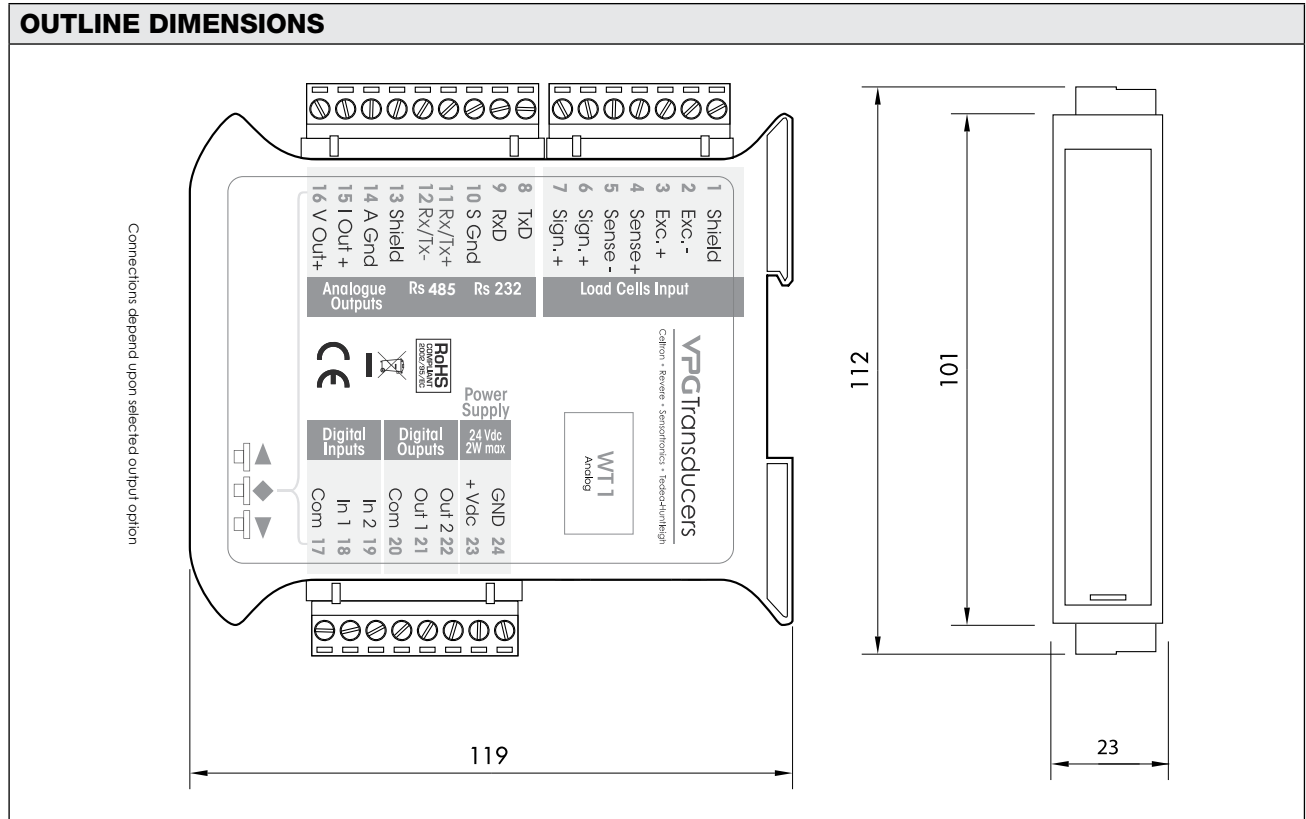
- Analog option available
- RS485 full duplex output available

APPLICATIONS

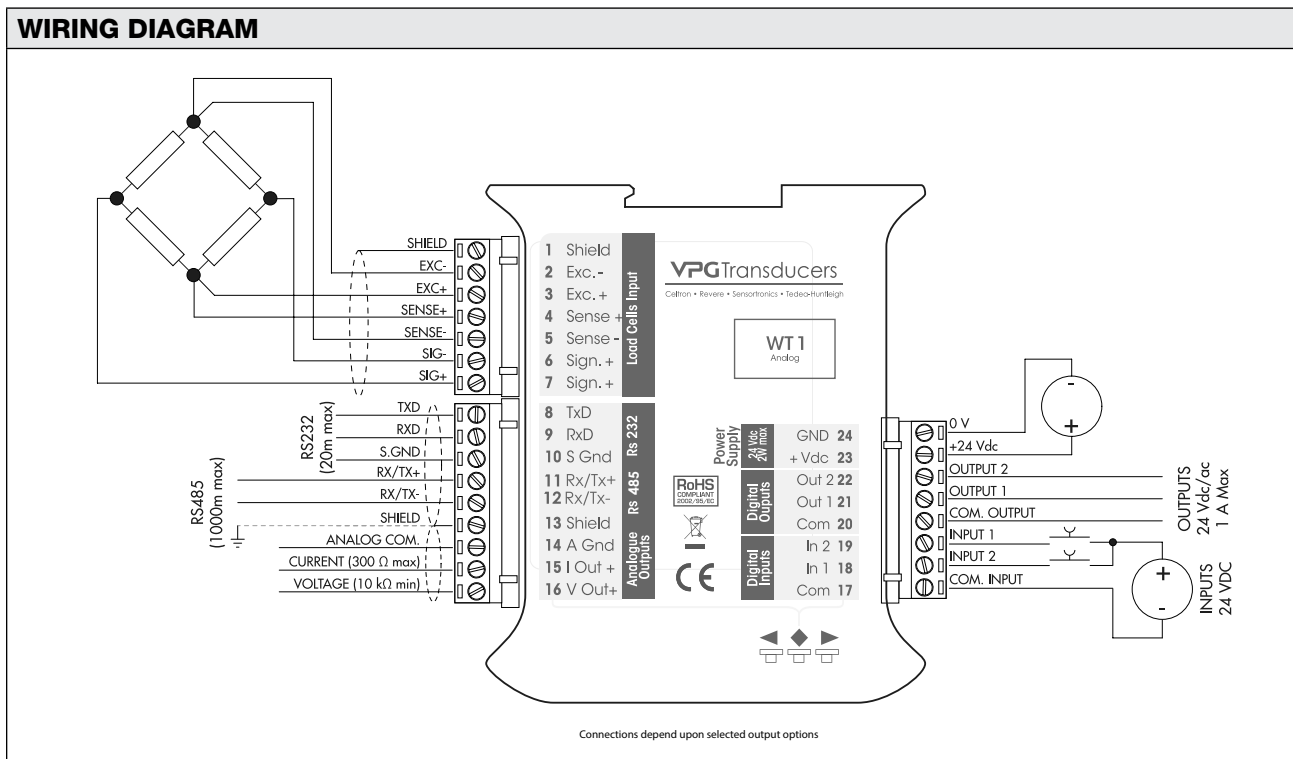
- Various industrial systems

DESCRIPTION

The WT1 provides accurate readings at an excellent price. When connected to a system of 1–4 load cells, the WT1 will convert output signals into stable, accurate weight values. This model comes with two logic outputs and two logic inputs as standard. The WT1 can be fitted with either an RS232C half-duplex or RS485 full duplex serial door; both serial doors can be loaded with ASCII or Modbus RTU protocols to enable communication with a PC or PLC.



Weight Indicator



SPECIFICATIONS

PERFORMANCE

Power Output
4 V

Measuring Range
-4 to +4 mV/V

Input Sensitivity
0.02 V/division

Linearity
<0.01% of full scale

Gain Drift
<0.001% of full scale °C

D/A Convertor
24 bit

Maximum Load Cells
4 at 350 Ω

Internal Resolution
16,000,000 counts

Visible Resolution
60,000 counts (visible on net weight)

Divisions Value (Adjustable)
0.001 to 50

Filter (Adjustable)
0.2 to 25 Hz

ENVIRONMENTAL

Operating Temperature
-10 to +50 °C

Storage Temperature
-20 to +60 °C

DISPLAY AND KEYBOARD

Display
5 digit, 7 segment, LED

Digit Height
7 mm

Keyboard
3 key mechanical keyboard

ELECTRICAL

Voltage
24 ±10% VDC

Wattage
2 W

INPUT AND LOGICS

Logic Input
24 VCC (external voltage), 2 opto-isolated, PNP

Logic Output
2 solid state relays
(maximum load 24 VDC/100 mA each)

Weight Indicator

ANALOG OUTPUT (OPTIONAL)

- Output**
16 bit, opto-isolated
- Tension**
0 to 5/10 V, (R Min 10 kΩ)
- Current**
0/4 to 20 mA (R max 300 Ω)
- Linearity**
<0.03% of full scale
- Temperature Drift**
<0.002% full scale °C

ENCLOSURES

- Dimensions**
119 x 112 x 23 mm, L x H x D
- Mounting**
DIN rail
- Electrical Connections**
5.08 mm terminal screw pass

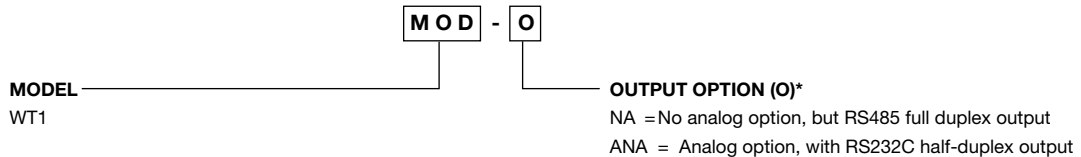
SERIAL COMMUNICATION

- Serial Output #1**
RS485 full duplex with ASCII or Modbus RTU protocol
- Baud Rate**
2400 to 115200 (adjustable)
- Serial Output #2 (with Analog Output option)**
RS232C half duplex with ASCII or Modbus RTU protocol
- Baud Rate**
2400 to 115200 (adjustable)

APPROVALS

- EN**
EN61000-6-2, EN61000-6-3 for EMC;
EN61010-1 for electrical safety

ORDERING INFORMATION FOR WT1



Example Completed Part Numbers:

WT1-ANA is the part number for a WT1 with the analog and RS232C outputs.

WT1-NA is the part number for a WT1 with the RS485 output only.

***This is mandatory: customers must select an output option.**

All specifications subject to change without notice. For inquiries within Italy please contact the VPG Transducers Marketing Department directly using the email address vpgt.marketing@vpgsensors.com.