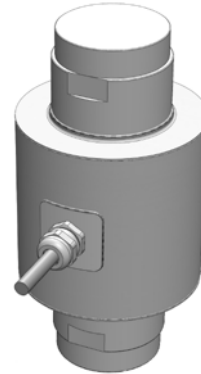


Digital Compression Load Cell

FEATURES

- Capacities: 20, 30, 35, 40 and 50T
- Self-aligning, stainless steel single column
- Welded seal, IP66/68—5 bar
- Certified to OIML R60 6000d (30T to 50T)
- Built-in surge protection
- RS485/RS422 2-wire, half-duplex
- Interchangeable with original Model DSC
- Built-in overload detection
- **Optional**
 - 4-wire, full-duplex with enhanced surge protection



APPLICATIONS

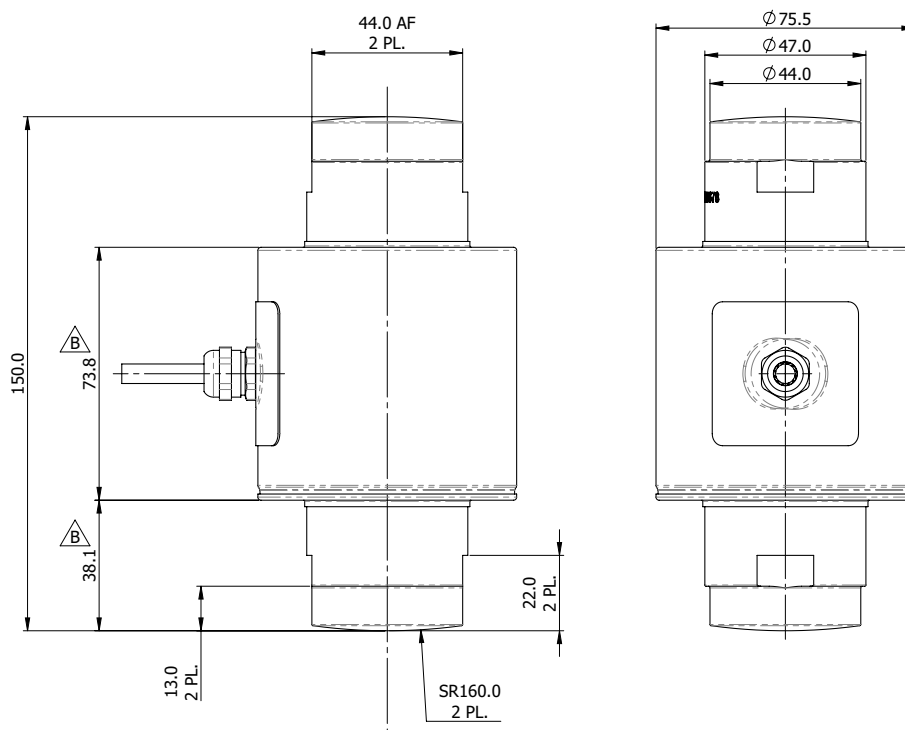
- Weighbridges
- Process weighing

KEY BENEFITS

- Weighing performance: up to OIML C6 with $Y=20,000$
- High update rate: up to 200 Hz
- High resolution: 18 bit / 200,000 counts

- Protocol customization: to suit customer electronics
- PC utility: for system configuration
- Software updates: in situ—no need to remove from service
- Star topology: only one cable to connect
- Auto power supply: 8 to 28 VDC with fast warm-up time

OUTLINE DIMENSIONS in millimeters



Cable Specifications

Cable length: 15m

Standard Half Duplex:

V In Pos	Red
V In Neg	Black
TX	Green
RX	White

Optional Full Duplex:

V In Pos	Red
V In Neg	Black
TX	Green
TX n	White
RX	Brown
RX n	Blue

Braided shield

Shield is a bare twisted braid

Digital Compression Load Cell

SPECIFICATIONS							
PARAMETER		VALUE					UNIT
VPG Accuracy class		CC	G5	G3	G2	H3	J4
Minimum utilization		NA	50	30	20	33	30
OIML Accuracy class		NA	C3	C3MR10	C3M15	C4MR12	C6MR20
Maximum no. of intervals (n)		NA	3000	3000	3000	4000	6000
Rated capacity—R.C. (E _{max})		20*, 30, 35, 40, 50					T
Rated output—R.O.		200,000					Counts
Rated output tolerance	Standard	160					±Counts
	Optional	25					
Zero balance		1600					±Counts
Creep (30 min.)		0.100	0.025	0.025	0.015	0.018	0.013
Zero return (30 min.)		0.100	0.017	0.017	0.017	0.0125	0.0083
Total Error		0.100	0.020	0.020	0.020	0.015	0.010
Temperature effect on output		0.003	0.0012	0.0012	0.0012	0.00075	0.00058
Temperature effect on zero		0.0040	0.0023	0.0014	0.0009	0.0012	0.0007
Y = E _{max} /V _{min}		NA	6000	10000	15000	12000	20000
Temp. range, compensated		-10 to +40					°C
Temp. range, safe		-40 to +70					°C
Temp. range, storage		-50 to +90					°C
Maximum safe static overload		150					% of R.C.
Ultimate static overload		300					% of R.C.
Supply, recommended		12					VDC
Supply, range		8 ÷ 28					VDC
Current, max.		50					mA
Resolution		20					Bit (at 1 Hz)
Signal update per second		1 10 20 40 67 100 200					Samples/s
Baud rate		1200 ÷ 115200					bits/s
Transmission type		Serial asynchronous data transmission					
Protocol type		Non-standard ASCII multi-drop					
Number of network address		32					
Data error detection		Odd/even parity, checksum					
Encryption		None/custom					
Data transmission interface	Standard	RS485/RS422 (2-wire, half-duplex)					
	Optional	RS485/RS422 (4-wire, full-duplex)					
Termination	Standard	None					Ω
	Optional	120Ω, 5%, 200 ppm/°C					
Surge protection	Standard	Industrial					
	Optional	Harsh					
Insulation resistance		>2000					MΩ
Cable length	Standard	15 (49)					m (ft)
	Maximum	100 (328)					
Max. transmission cable length		1200					m
Cable type	Standard	Braided shield, 2 twisted pairs—24 AWG, polyurethane jacket					
	Optional	Braided shield, 3 twisted pairs—24 AWG, polyurethane jacket					
Construction		Stainless steel, welded seal					
Environmental protection		IP66/IP68—5 bar					
Outline dimensions DWG.		294.000.00-3					

*20T Capacity is not OIML approved

All specifications subject to change without notice.

Disclaimer

ALL PRODUCTS, PRODUCT SPECIFICATIONS AND DATA ARE SUBJECT TO CHANGE WITHOUT NOTICE.

Vishay Precision Group, Inc., its affiliates, agents, and employees, and all persons acting on its or their behalf (collectively, "Vishay Precision Group"), disclaim any and all liability for any errors, inaccuracies or incompleteness contained herein or in any other disclosure relating to any product.

The product specifications do not expand or otherwise modify Vishay Precision Group's terms and conditions of purchase, including but not limited to, the warranty expressed therein.

Vishay Precision Group makes no warranty, representation or guarantee other than as set forth in the terms and conditions of purchase. **To the maximum extent permitted by applicable law, Vishay Precision Group disclaims (i) any and all liability arising out of the application or use of any product, (ii) any and all liability, including without limitation special, consequential or incidental damages, and (iii) any and all implied warranties, including warranties of fitness for particular purpose, non-infringement and merchantability.**

Information provided in datasheets and/or specifications may vary from actual results in different applications and performance may vary over time. Statements regarding the suitability of products for certain types of applications are based on Vishay Precision Group's knowledge of typical requirements that are often placed on Vishay Precision Group products. It is the customer's responsibility to validate that a particular product with the properties described in the product specification is suitable for use in a particular application.

No license, express, implied, or otherwise, to any intellectual property rights is granted by this document, or by any conduct of Vishay Precision Group.

The products shown herein are not designed for use in life-saving or life-sustaining applications unless otherwise expressly indicated. Customers using or selling Vishay Precision Group products not expressly indicated for use in such applications do so entirely at their own risk and agree to fully indemnify Vishay Precision Group for any damages arising or resulting from such use or sale. Please contact authorized Vishay Precision Group personnel to obtain written terms and conditions regarding products designed for such applications.

Product names and markings noted herein may be trademarks of their respective owners.